

USER MANUAL

Undersink Water Filter

ORA-10-RF

NARA-15I-RF

NARA-15B-RF

ORA-15-RF

NARA-10I-RF





CONTENTS

1. Installation Instruction	01
2. Product Introduction	02
3. Sample Connection	02
4. Installation Tips	03
5. Installation Steps	04
6. Filter Replacement Instructions	06
7. Performance	07
8. Troubleshooting	07
9. Limited Warranty	08



INSTALLATION INSTRUCTION

Before Installation

INSPECT THE BOX: Open the box and take out the system and all the components. Inspect them carefully according to "Product Introduction" and make sure nothing is missing or damaged during shipping. If any parts are cracked or broken, please do not proceed with the installation and contact Kloudfilter for an exchange or diagnosis.

Technical Parameters

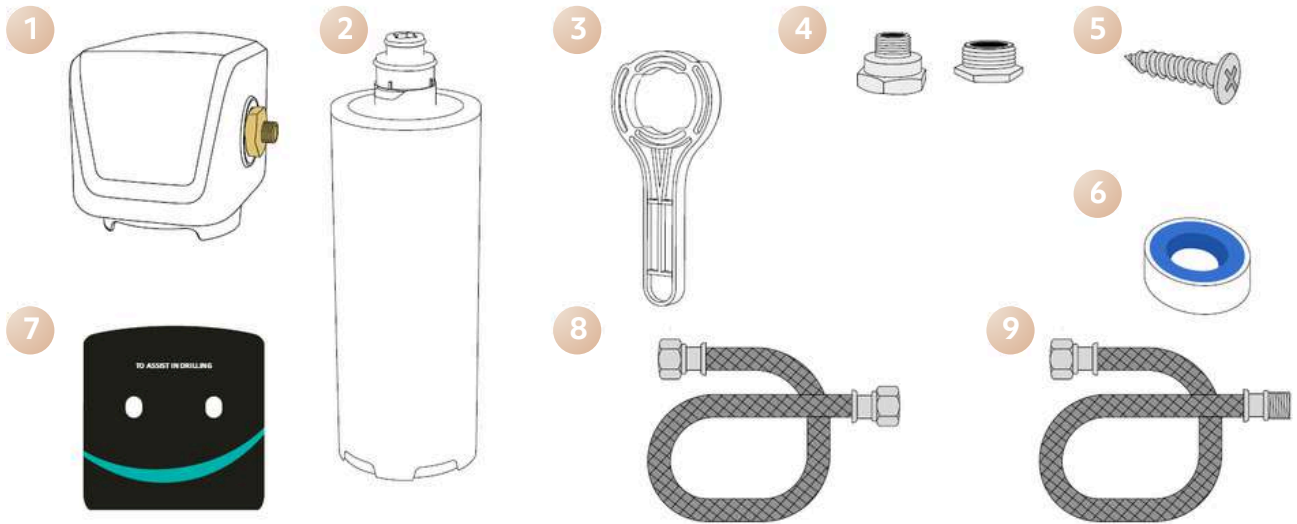
Model Name	Dimension	Replacement Filter	Replacement Period
ORA 10	4.9x6.1x15 in	ORA 10-RF	10-12 M/11000 Gal.
NARA ICE 10	4.9x6.1x15 in	NARA ICE 10-RF	4-6M/11000 Gal.
ORA 15	4.9x6.1x 18.9 in	ORA 15-RF	10-12 M/19000 Gal.
NARA BREW 15	4.9x6.1x 18.9 in	NARA BREW 15-RF	8-12 M/19000 Gal.
NARA ICE 15	4.9x6.1x 18.9 in	NARA ICE 15-RF	10-12 M/19000 Gal.

Flow Rate	2 Gallons/min. @60psi
Applicable Water Source	Municipal Water
Operating Temp.	Min. 39°F, Max. 100°F

Rated flow 2 gal/m @25 C (77°F). Low water temperature will slow down water flow. Please contact us for reference at: www.kloudfilter.com

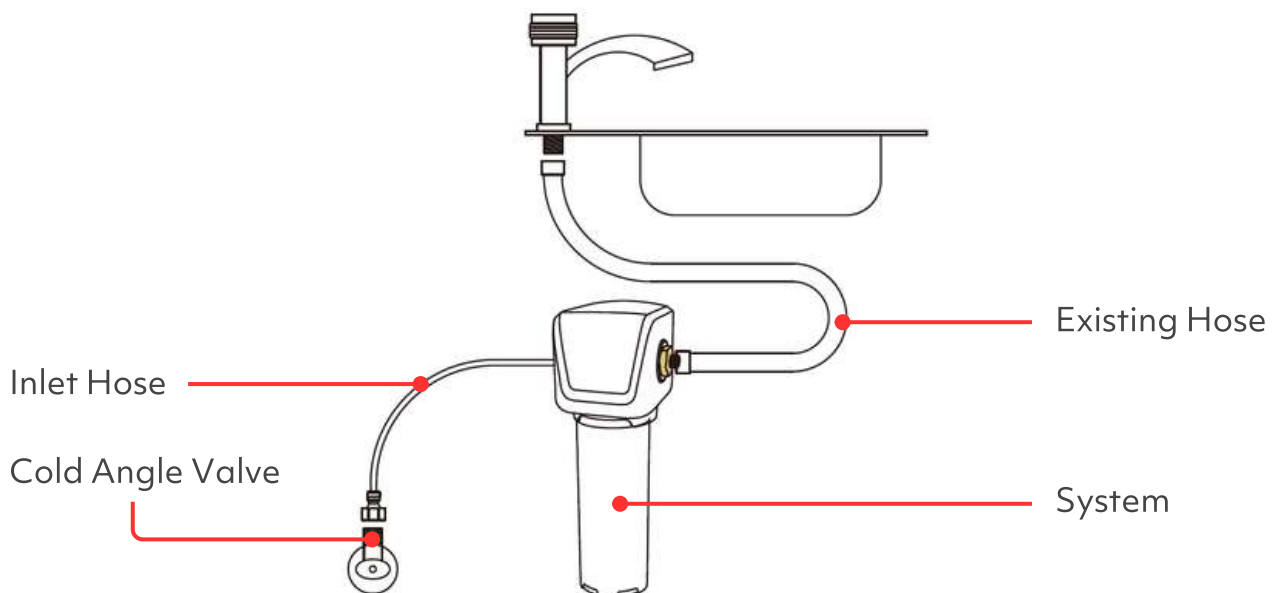


PRODUCT INTRODUCTION



- 1. System Cap
- 2. Water Filter Cartridge with Filter Loaded
- 3. Housing Wrench
- 4. 3/8"-1/2" Converter
- 5. Mount-up Screws
- 6. Teflon Tape
- 7. Drilling Hole Sticker
- 8. Inlet Hose
- 9. Outlet Hose

SAMPLE CONNECTION





INSTALLATION TIPS

If your valve is 1/2" :

If angle valve outlet is 3/8"



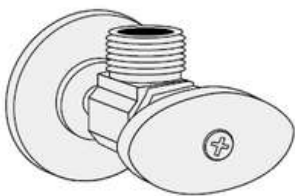
3/8" Comp (9/16" thread)

If angle valve outlet is 3/8"

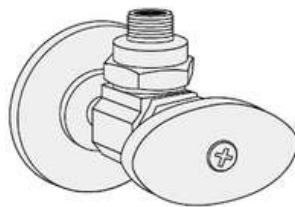


1/2" thread

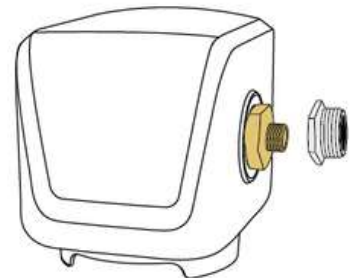
Connect one part of the converter to the angle valve



1/2" thread



1/2" to 3/8"



Outlet Port 3/8" to 1/2"



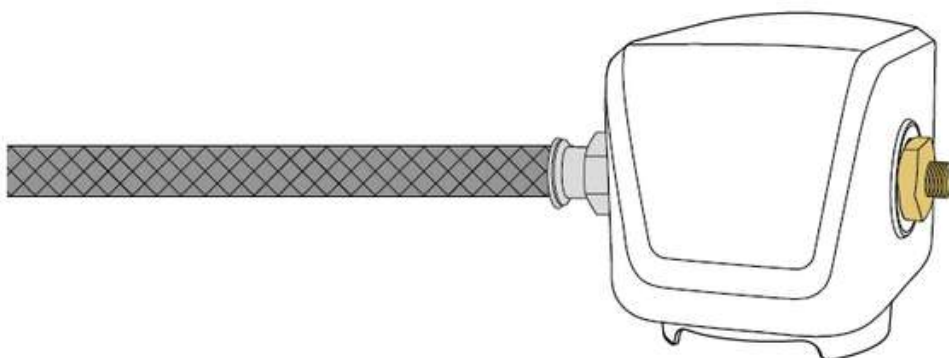
INSTALLATION STEPS

Precautions:

- Do not use with water that is microbiologically unsafe or of unknown quality without adequate disinfection.
- Testing was performed under standard laboratory conditions, actual performance may vary.
- For cold water use only.
- This filter must be protected from freezing, which can cause cracking of the filter and water leakage.
- Do not allow children under 3 years of age to have access to small parts during installation.
- The installation must comply with all applicable state and local regulations.

Step 1: Connect the filter system with the hoses

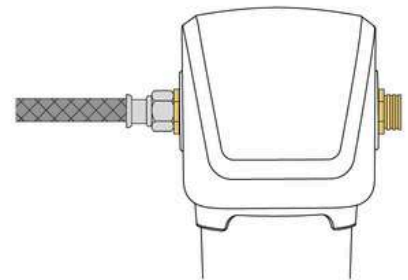
- Connect the inlet water hose to the supply end of the water filter system.





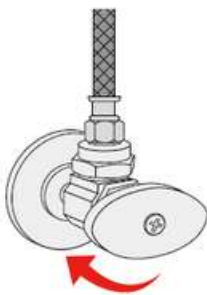
Step 2: Install the system onto a wooden plate

- Set the sticker provided in the package on the plate to mark the spots for two screws.
- Use an electric screwdriver to fasten the screws. Mount the system.

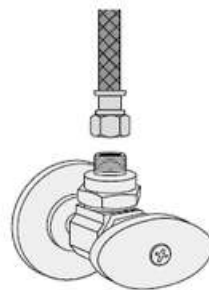


NOTE: Mount the water filter at least 4 inches lower than the bottom of the basin for easier installation.

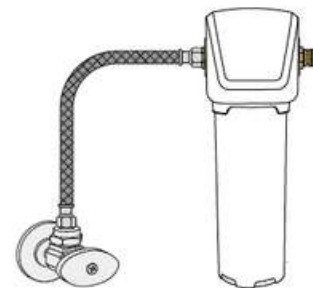
Step 3: Connect the water supply (COLD WATER ONLY)



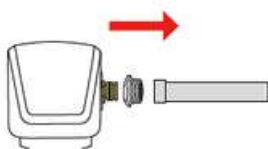
Shut off water supply



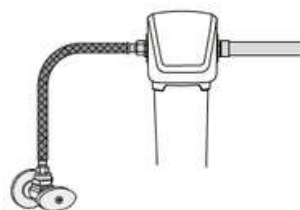
Remove original hose



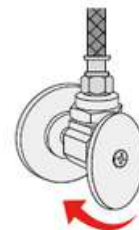
Connect inlet hose



Connect the original faucet hose



Connection finish

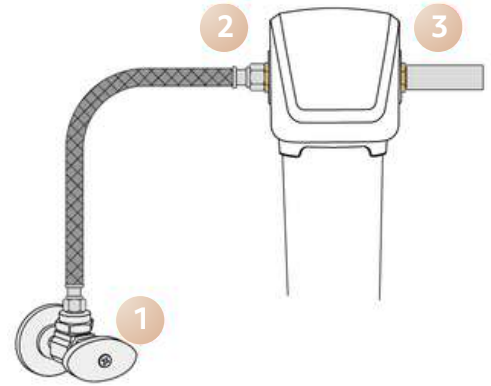


Turn on the valve

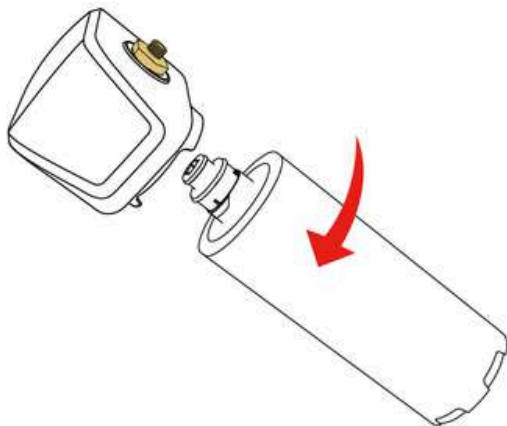


Step 4: Check for leaks and flush the filter

1. Turn on the water supply to check for leaks.
2. Flush the filter for 10 minutes before use.

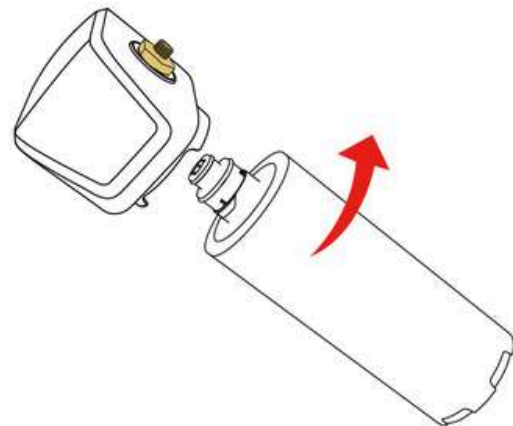


FILTER REPLACEMENT INSTRUCTIONS



STEP 1

Twist the housing
anti-clockwise.



STEP 2

Load with new one cartridges
twist the housing.



NOTE: With the AUTO Shut off design of the system, you don't need to shut off the water supply when doing the replacement.



WARNING: Please keep the wrench always



PERFORMANCE DATA

Substance	Influent challenge concentration (mg/L)	Maximum permissible product water concentration (mg/L)
Chlorine	2.0 mg/L ± 10%	≥ 50%
Particulate, Class I Particles 0.5 to <1µm	At least 10,000 particles/mL	≥ 85%
Lead	0.15 ± 10%	0.010
Cyst	Min. 50,000/L	99.95%

TROUBLESHOOTING

1. Leaks at the threaded connection: if once the system leaks after installation, please use Teflon tape properly on the threaded fitting to prevent leakage.
2. PPM is not dropping while tested by TDS meter: Kloudfilter FK99 has a unique technology that removes 99.99% of contaminants while leaving all the essential minerals in water such as Calcium, Potassium, Sodium, Magnesium ect. All healthy water has a certain level of total dissolved solids. they are essential minerals. The TDS meters are not an effective way to measure the water quality, The water without TDS is normally produced by reverse osmosis system.



LIMITED WARRANTY

Model: Undersink Water Filter System

Warrantor: Kloudfilter

One Year Warranty

Octopus First General Trading LLC (referred herein as “Kloudfilter”) provides a one-year limited warranty from the purchase date as per the sales invoice or receipt issued by Kloudfilter. Kloudfilter reserves the right to either replace defective products and/or parts with new ones or repair defective products or parts at its sole discretion. Repair or replacement of defective products is determined after inspection of the product. However, Kloudfilter will always attempt to repair defective products before replacing them with new ones. All products and parts that are replaced become the property of Kloudfilter. Repair or replacement of defective products under this warranty does not extend or renew the warranty period; the original purchase date will still be considered for future warranty claims. Kloudfilter reserves the right to charge a service fee for any warranty repair/service, and this warranty applies only to defects in material, design, and workmanship.

This warranty does not cover:

1. Periodic checks, maintenance, no-fault-found cases, and repair or replacement of parts due to normal wear and tear.
2. Abuse or misuse, including but not limited to failure to use the product for its intended purposes or in accordance with Kloudfilter product instructions on usage and maintenance.
3. Defects resulting from the use of the product with accessories not approved by Kloudfilter.
4. Failure of the product arising from incorrect use not consistent with the instructions and technical safety standards prescribed in the product user manual.



5. Accidents, Acts of God, lightning, water, fire, public disturbances, improper ventilation, voltage fluctuations, or any cause beyond the control of Kloudfilter (“Force Majeure”).
6. Unauthorized modifications carried out to the product to comply with local or international technical standards in countries for which this Kloudfilter product was not originally designed.
7. Cases where the serial number on the product has been altered, deleted, removed, or made illegible.
8. Consumables (components expected to require periodic replacement during the lifetime of the product, such as non-rechargeable batteries, replacement filters, etc.).
9. Neglect.

Limitations and Exclusions:

If any exclusion is not permitted by applicable law, Kloudfilter limits its warranty only to the maximum extent permitted by law. Any warranty that cannot be fully excluded will be limited to the duration of this warranty.

Kloudfilter obligation under this warranty is limited to repair or replacement of products subject to these warranty terms and conditions. Kloudfilter shall not be liable for any loss or damage relating to products or services covered by this warranty, including economic or intangible losses—the price paid for the product—loss of profits, revenue, data, enjoyment, or use of the product, and indirect, incidental, or consequential loss or damage.

This warranty is not transferable. It represents the purchaser’s sole and exclusive remedy, and Kloudfilter shall not be liable for any incidental or consequential damages for breach of any express or implied warranty of this product.

K L O U D

Ora 10 & 15



KLOUD™ | DESIGNED IN UAE

www.kloudfilter.com

Water, The Way It *Should* Be _____ 