

ORA TUF

USER MANUAL

Tankless Reverse Osmosis Water Purifier





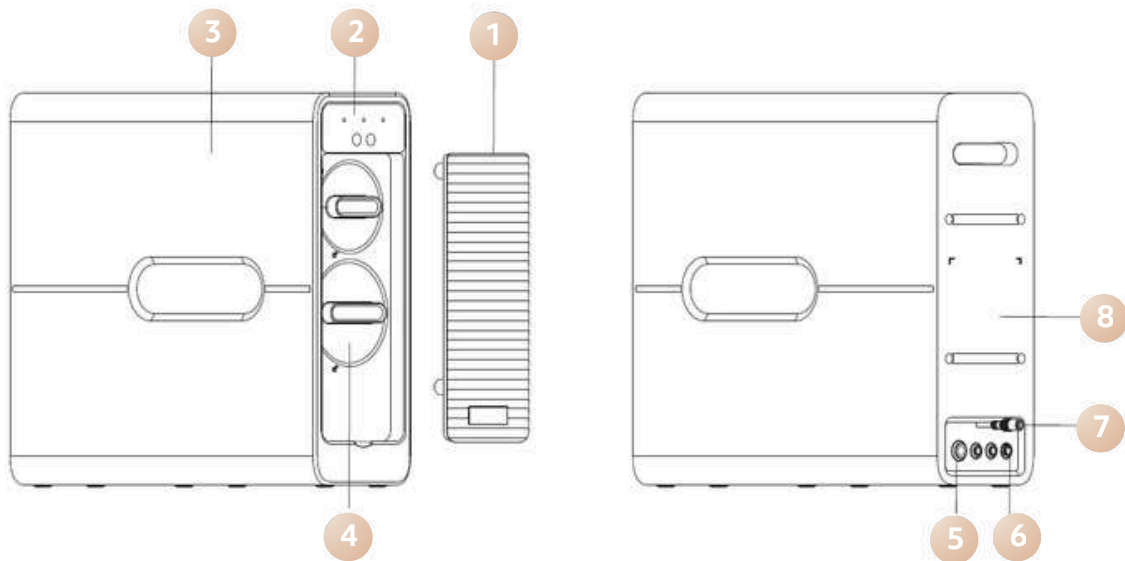
CONTENTS

1. The Principle Of Performance	01
2. Structure Diagram	01
3. Function & Feature	01
4. Pipeline Installing Diagram	02
5. Product Parameters	03
6. Introduction Of Filter Cartridge	03
7. Period Of Filter Cartridge Replacement	04
8. Installation	04
9. Installation Notice	04
10. Installation Steps	05
11. How To Use	07
12. Functions	07
13. Filter Replacement	08
14. Maintenance	09
15. Malfunctions & Handling	10
16. Packing List	11
17. Product Dimension	11



PERFORMANCE PRINCIPLE

Structure Diagram



- | | | | |
|--------------------------|---------------------|-----------|---------------|
| 1. Front Panel | 3. Side Panel | 5. Inlet | 7. Power Line |
| 2. Electric Control Area | 4. Filter Cartridge | 6. Outlet | 8. Main Frame |

Function & Feature

- Pure water with sweet taste**
 - Ultra-filtration filtration technology, high filtration accuracy up to 0.001 micron, removes the sediment, rust, colloid, bacteria and other harmful substances in water.
 - Deep adsorption activated carbon that can remove the organic compounds and chlorine in water.
- Large flow with tank-less design, filtration while drinking, taste more better**
 - Large water flow to avoid second pollution.
 - Ultra quiet design, free from noise.
 - Mute structure to avoid noise.
 - LED indicator to show the service life of filter cartridge.
 - LED indicator to check the working status at any time.



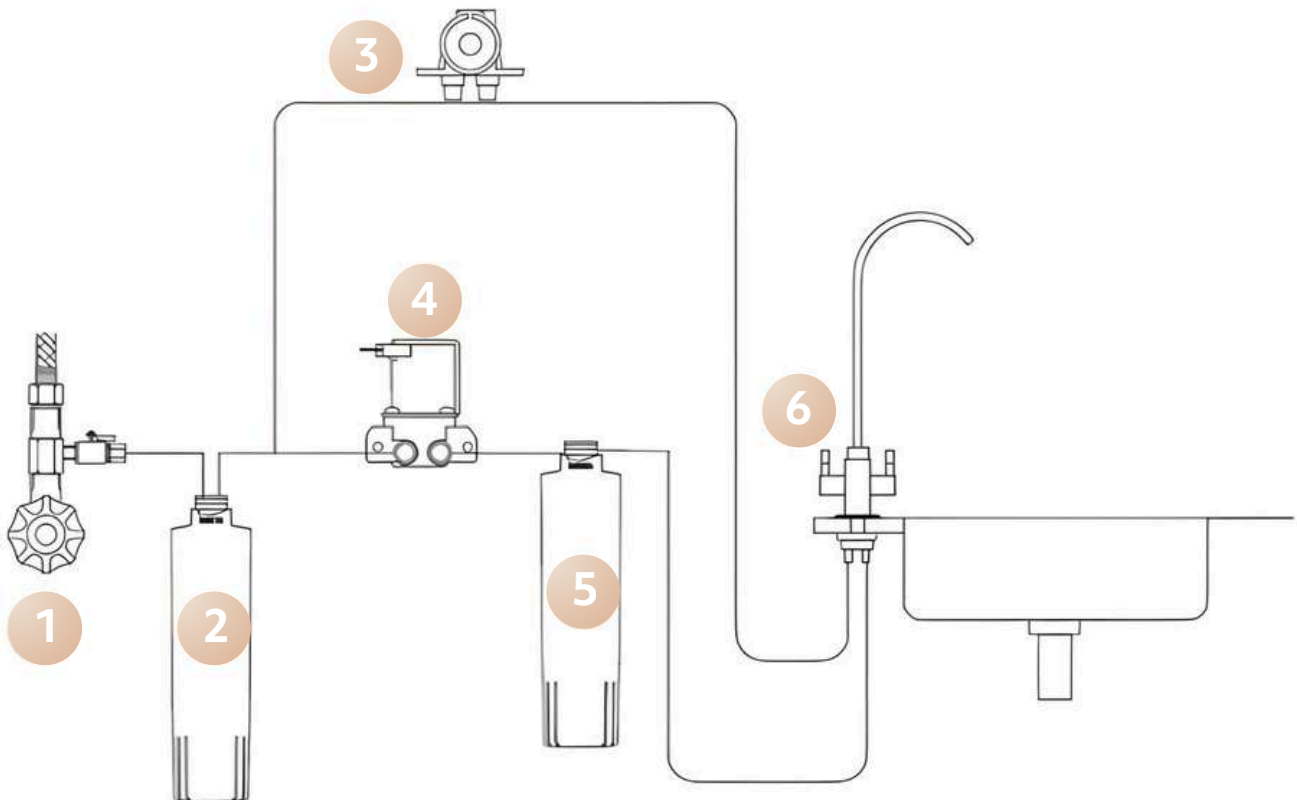
✓ **Integrated waterway to avoid any water leakage**

- Integrated waterway design to avoid leakage risks.
- Auto water cut off when replace the filter cartridge.

✓ **Integrated filter cartridge for easy replacement**

- Quick connect integrated filter cartridge, simple and fast.
- Filter cartridge self-locking structure, the lock will be more and more tight under water.

Pipeline Installing Diagram



- 1. Angle Valve
- 2. PPC Filter Cartridge

- 3. Flow Meter
- 4. Inlet Solenoid Valve

- 5. UF Membrane
- 6. Filter Life Indicator



Product Parameters

Product Name	Ora TUF		
Item No.	UF Filtration	Pure Flow Rate	2.1L/min
Rated Total Pure Water	6000L	Rated Power	120W

General Product Parameters

Filtration Technology	Sediment Filter 5 Micron Carbon Block Filter 5 micron UF membrane		
Filtration Accuracy	0.01μm	Inlet Pressure	0.1-0.4MPa
Voltage/Frequency	100-240V~ 50/60Hz	Anti Electric Shock Type	III
Item Size	440x140x402(mm)	Application	Municipal Tap Water
Inlet Temperature	5°C ~ 38°C		

Introduction of filter cartridge

Filter Type	PPC	UF
Filtration Accuracy	5-10μm	0.01μm
Material	PPC	PA
QTY	1pc	1pc
Function	Remove sediment, rust, colloidal suspension, etc., remove residual chlorine at the same time, and improve the taste of heterochromatic odor	Removes bacteria, heavy metal ions and other harmful substances



Period of filter cartridge replacement

Filter Type	PPC Filter	UF Membrane
Suggest to Replacement	6 months	12 months

- The period of replacement is recommended. Please replace the filter cartridge according to the local water quality.
- Please replace the filter cartridge when have the following situation:
 - > The outlet water quality becomes worse or the water flow decreases,also the filter cartridge clogging.
 - > LED indicator remind to replace the filter cartridge when the filter cartridge expires.
- When the water purifier is installed under the following water conditions, the replacement of the filter cartridge may be more frequent. It is suggested to add pre treatment scheme:
 - > The source water is surface water source,like some local small rivers,etc.
 - > In the third and fourth level markets, the source water maybe not disinfected or sterilized, such as collective water supply in villages.
 - > The source water is shallow groundwater,such as rural well water.
 - > The source water comes from the water tower,such as some open air water tower in newly built community.

INSTALLATION

Installation Notice

- Please check whether the package of the water purifier is in good condition,also check whether the parts of the water purifier system are complete according to the packing list.



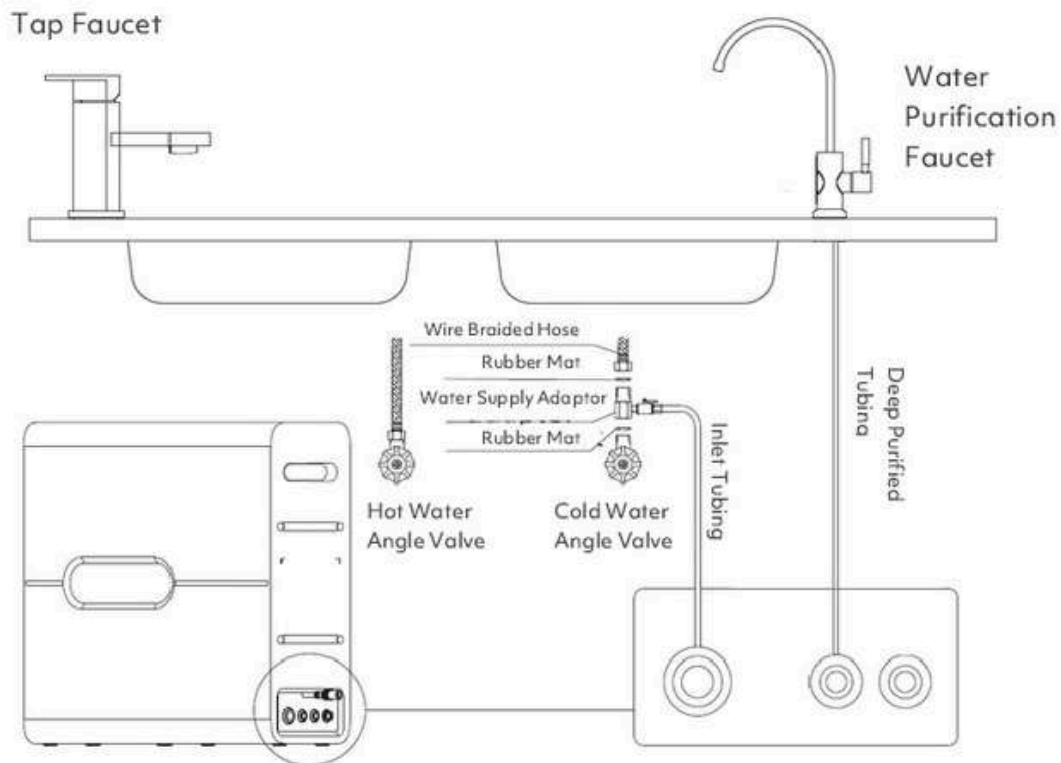
- To determine the installation location:
 - > Please check the distance from the installation position to the power switch which should match the length of the power line.
 - > Please check the surface or floor has sufficient conditions to support the weight of the water purification system.
 - > Please check whether it has the good drainage facilities near the installation site.
- Please install the pressure reducing valve before the system When the inlet pressure is higher than 0.4mpa.
- Do not install the water purifier in the open air where the temperature is too high or too low, so as to affect the purification effect of the filter cartridge or damage the water purifier.
- Installation tools: adjustable wrench, special wrench, etc.
- Installation accessories: PE tubing, etc.

Installation Steps

1. Turn off the inlet: make sure the water source inlet has been turned off.
2. Install the water faucet: Fix the faucet to the reserved hole on the sink, if there is no suitable hole in the sink, you can open a hole 2.5cm away from the sink, the hole size is 30mm, and then fix the water purification faucet on the table, and then install the 1/4 PE tubing joint.
3. Pipeline connection
 - a. Remove the plug of water inlet, pure water inlet, deep water purification outlet and thick water outlet of water purification system.
 - b. Install the water supply adaptor, connect the adaptor with cold water angle valve or faucet and other water source, ensure reliable connection, no leakage, the other end of 3/8" PE tubing is connected to the inlet of the machine.
 - c. Take 1/4 PE tubing , connect one end to the water purification port on the system and the other end to the faucet connector.



NOTE: Install PP Filter before water purification system, can prolong the service life of PPC filter and UF filter cartridge.



Pic.1: Diagram of pipeline connection and installation.

4. Rinsing: Check whether all the pipeline connection is correct after installation. Please flush the machine before first use according to the following steps:
 - a. Purified water flushing: turn on the outlet water faucet, connect with the power supply, the water purifier will flush automatically; It will come into water production status after flushing, and will last along about 20 minutes for water production, then drains out.

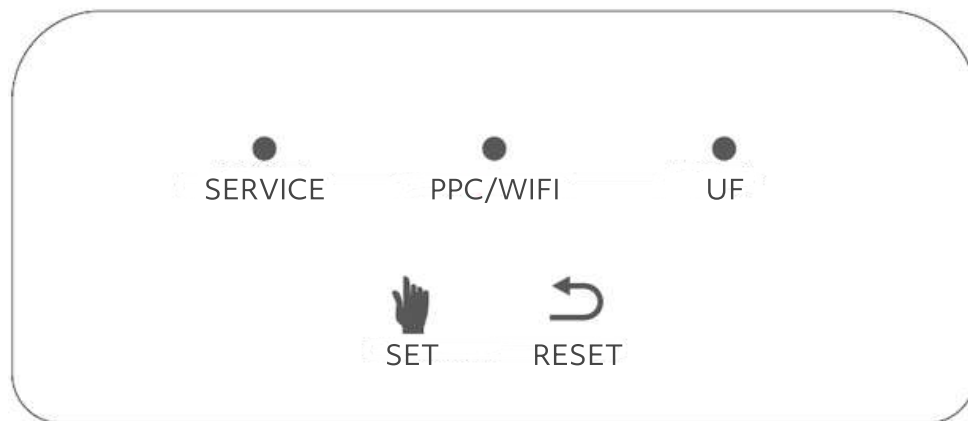


NOTE: In the following cases, it is recommended to rinse according to first using status of the machine.

1. The machine has been unused for more than 1 months.
2. After filter cartridge replacement.

HOW TO USE

Fuctions



Pic. 2

Service Function

After the power is switched on, the machine enters the initial state, the blue light of filter life indicator is on, the "SERVICE" indicator is slow flashing, the machine enters the automatic flushing state; After 180seconds, it will enter into the corresponding working state. If there is no operation within 15 seconds, the indicator will automatically light off. "SERVICE" indicator is for water production and maintenance.



WIFI Function (Optional)

Short press the "SET" key to switch the "PPC(blue)/WIFI(red)", and the "PPC/WIFI" indicator flashes red, it is ready for connection; If it is steady on that represents successful connection; Off indicates no WIFI connection. Users connected to WIFI can check the water quality and filter element life through the APP; At the same time, can manually wash and reset the filter element when its life expires through the mobile phone. Meanwhile, press the "SET"+"RESET" key for more than 3 seconds to activate WIFI.

Filter Replacement

1. Filter Cartridge Reminder

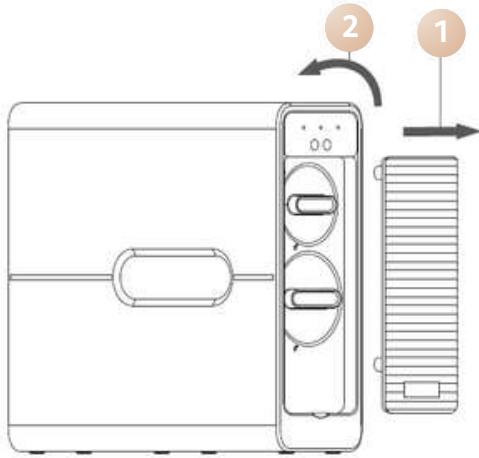
When the water production volume reaches the rated total water production amount, the machine will automatically alarm to remind the replacement of the filter cartridge, and the blue light will automatically light up and flash. At this time, the expired filter cartridge should be replaced in time.

In order to ensure that users can use qualified and assured water quality, It use with flow and time for dual monitoring to remind filter replacement, rated flow used up or filter service life expired, will remind the alarm.

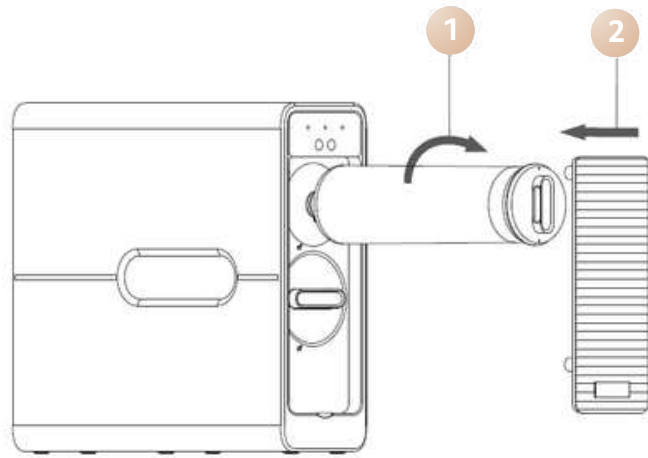
2. Replacement Method

- a. Turn off the tap water, and turn on the outlet faucet, long press "SET" for 3 seconds to start manual flush for decompression.
- b. Turn on the deep purified water faucet, disconnect the power supply.
- c. Take down the front panel, rotate the filter cartridge 90 degrees counterclockwise, take out the filter element (as shown in pic.3).
- d. Put the new filter cartridge into the right position, rotate it 90 degrees clockwise till it is tightened (as shown in pic.4).
- e. Connect with the power supply, resin the machine according to above steps.

WARMLY TIPS: Please put the filter cartridge into the right position when replacement; Otherwise it may cause the machine could not work normally, or even damage the machine.



Pic. 3



Pic. 4

MAINTENANCE

1. Non-professional technical personnel please do not disassemble the machine without authorization.
2. Do not put the machine into the water or other liquids to avoid any damage of the machine.
3. After water or pipeline maintenance, it is necessary to discharge the sediment from other pipelines, otherwise a large amount of sediment may lead to filter cartridge block, and reduce the service life.
4. Please cut off the power supply and turn off the tap water when the machine stop using for a long time.
5. Please turn on the outlet water faucet for water production 10 minutes after stop using for a long time.
6. Do not use thinner, alcohol and others for cleaning, otherwise it may cause discoloration, deformation,etc.
7. Please check regularly whether there is water flowing out of the sewage port and whether the water flowing into the sewer is smooth when the machine is working.
8. Please replace the filter cartridge according to its service life and the local water quality.
9. If the machine fails to work during using,please immediately close the inlet angle valve and power supply, check" Malfunctions and Handling ",If the fault is not solved,please contact KLOUD, sales@kloudfilter.com



MALFUNCTIONS AND HANDLING

The following table is a list of possible malfunctions and their causes, please refer to their general troubleshooting methods.

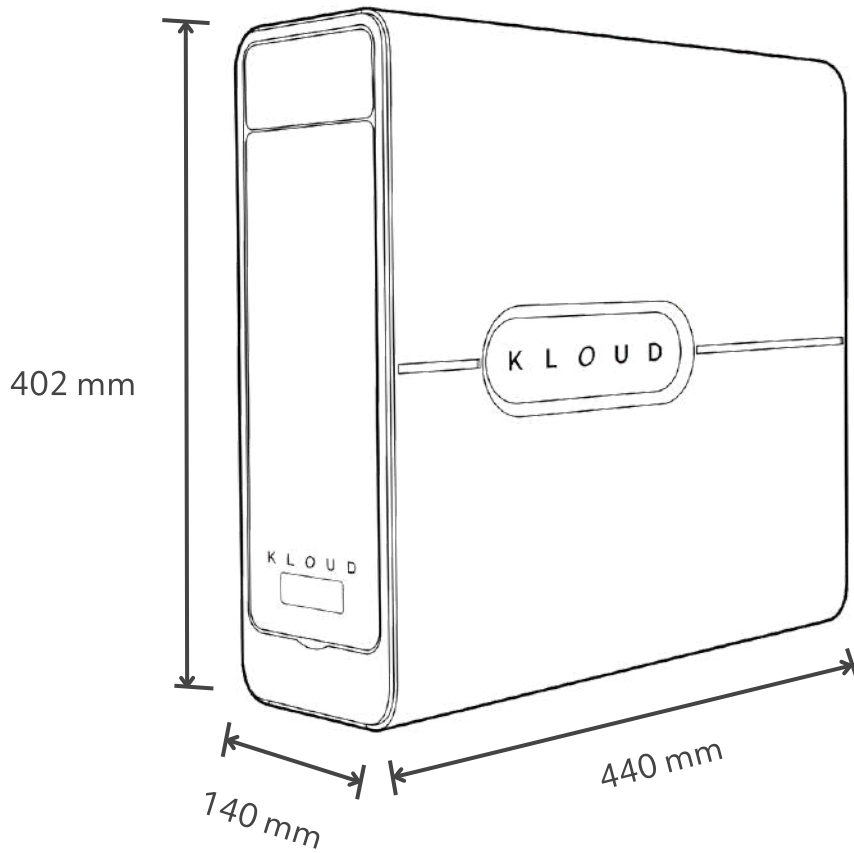
Malfunction	Troubleshooting	Handling
Deep purified water does not come out	Water supply adaptor turned off	Turn on the water supply adaptor
	The filter cartridges are not in the right position	Put the filter cartridge into the right position
	Loosening of mainboard wiring	Replug the mainboard wiring
	The high voltage switch is malfunctioning and cannot be reset	Replace the high voltage switch
Less purified water runs from the faucet	PE tubing bent or twisted	Do not bent or twisted the tubing
	Water temperature drops below 4°C (in winter)	It is normal phenomenon
	Tank valved is not turned on	Turn on the tank valve
	The filter cartridges have exceeded its service life	Replace the filter cartridge
There is some off odor in purified water	The system has not been used for a long time	Flush the system or replace the filter cartridge
	The filter cartridges have exceeded its service life	Replace the filter cartridge
"SERVICE" indicator is flashing	PCB board damaged	Replace the PCB board
	The purified water faucet is leaked or excessive water	Replace the faucet and restart the system



PACKING LIST

Water purification system	Purified faucet
Water supply adaptor	1/4" PE tubing
3/8" PE tubing	Quick Plug spanner
Power adapter	Manual

PRODUCT DIMENSION



K L O U D

Ora TUF



KLOUD™ | DESIGNED IN UAE

www.kloudfilter.com

Water, The Way It *Should* Be _____ 